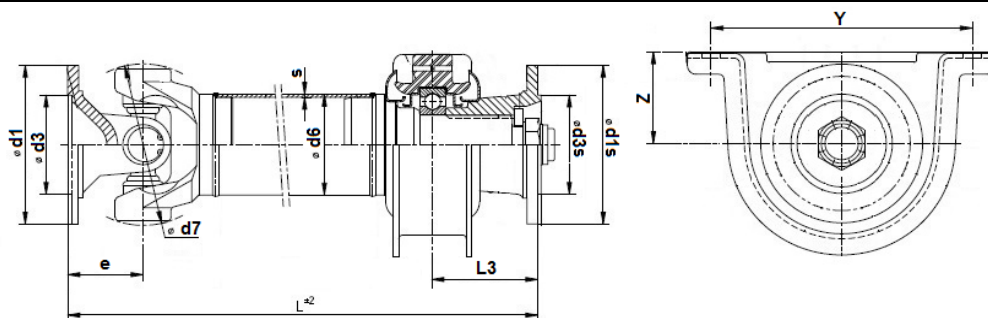
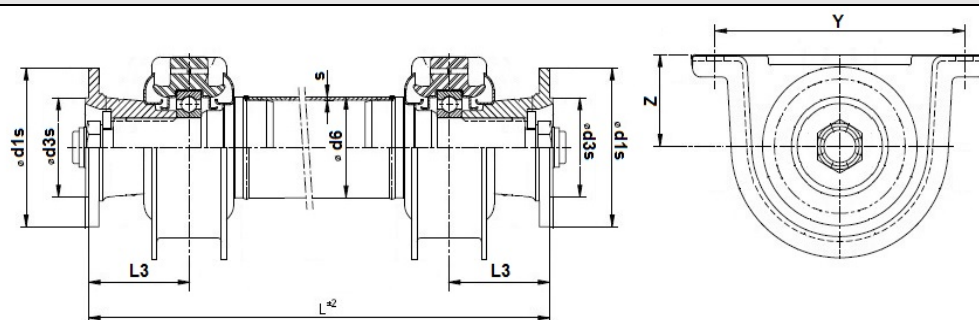


MdB= da 800 a 22000 Nm - MdG= da 1400 a 30000 Nm

Esecuzione Cod 3790



Esecuzione Cod 4790



Flange DIN

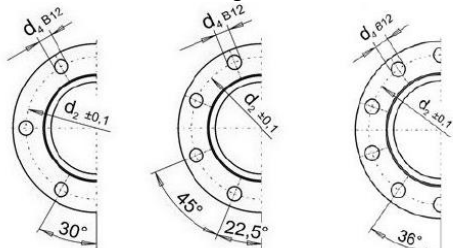


Fig. 1

Fig. 2

Fig. 3

Flange SAE

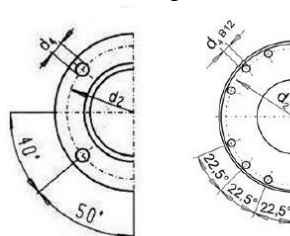


Fig. 4

Fig. 4C

Flange XS / KV

70° secondo ISO 12667 resp. ISO 8667

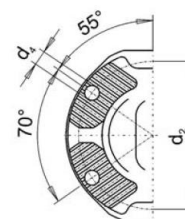


Figura 5

| Compatibile Con Serie | Flangia Supporto | Fig | L min | MdB Nm | MdG Nm | d1s | L3 | Y | Z | Tube D6 +S |
|-----------------------|------------------|-----|-------|--------|--------|-----|------|-------|------|--|
| 130M/131/43 | SAE 1300 | 4 | 500 | 1800 | 2600 | 97 | 73.2 | 168.3 | 57.9 | 50.8x2.41 - 60x3 - 76.2x2.41 |
| 131-43-141-152 | SAE 1400 | 4 | 500 | 2400 | 3500 | 116 | 82.6 | 168.3 | 62.7 | 76.2x2.41 - 88.9x2.41 - 90x3 |
| 131-43-141-152 | DIN 120 | 3 | 500 | 2400 | 3500 | 120 | 82.6 | 168.3 | 62.7 | |
| 141 - 152 - 161 | DIN 120 | 3 | 500 | 4200 | 6000 | 120 | 78 | 168.3 | 59 | |
| 141 - 152 - 161 | DIN 120 | 3 | 500 | 4200 | 6000 | 120 | 78 | 193.6 | 59 | |
| 141 - 152 - 161 | XS/KV120 | 5 | 500 | 4200 | 6000 | 120 | 89.5 | 193.6 | 69 | 90x5.5 - 110x6 120x6 - 130x6 140x5 |
| 68/73 | SAE 1800 | 4C | 500 | 17000 | 25000 | 203 | 110 | 200 | 62.7 | |
| 73/77 | XS/KV180 | 5 | 500 | 22000 | 30000 | 180 | 86.5 | 230 | 88 | |
| 73/77 | XS/KV180 | 5 | 500 | 22000 | 30000 | 180 | 107 | 220 | 88 | |